

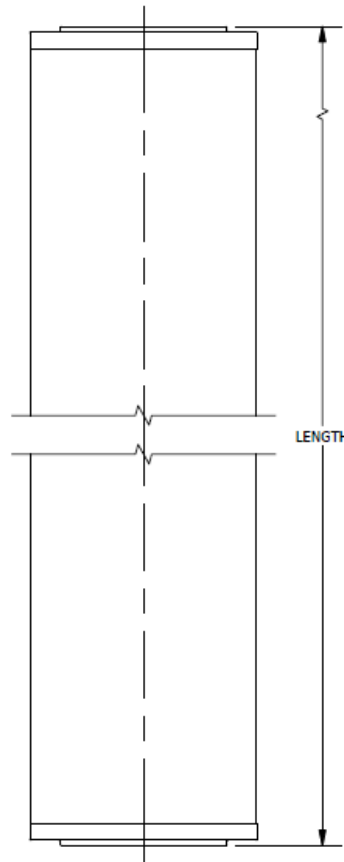
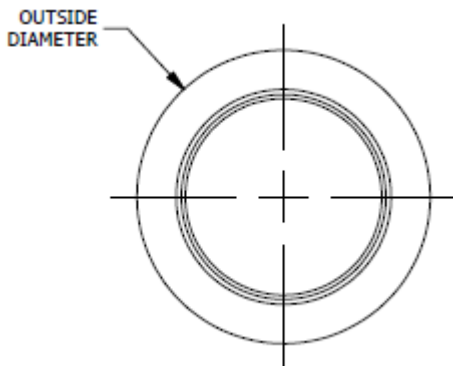
Designed for use with all Oil Filtration Systems (OFS). Suitable in all mineral-based and synthetic hydraulic, lubrication, and fuel oil applications. Fine micro-fibrous pleated microglass media maximizes surface area, dirt holding capacity, and service life while minimizing single pass particle counts and differential pressure. Provides economical critical use protection with lower overall cost to use.

OFS	840X	01*	-	B
Media Type Fine fiber micro-glass media, layered to provide serial filtration in a pleated configuration	Nominal Length 820X = 16.00" 820 = 18.17" 840X = 34.00" 840 = 36.00"	Micron Rating 01 = 2.5 µm 03 = 5 µm 06 = 7 µm 10 = 10 µm 12 = 12 µm 25 = 25 µm	Seal Material B = Buna N = Neoprene T = PTFE V = FKM	Cap Configuration = DOE B = SOE C = O-ring

*Beta > 1000 (99.9% for stated micron size)

Recommended Operating Conditions

Flow Direction	Outside → In
Change Out Differential	25 PSID
Maximum Differential	150 PSID
Maximum Temperature	250° F (Buna) 275° F (Viton)



For more information, email PurityProducts@clark-reliance.com