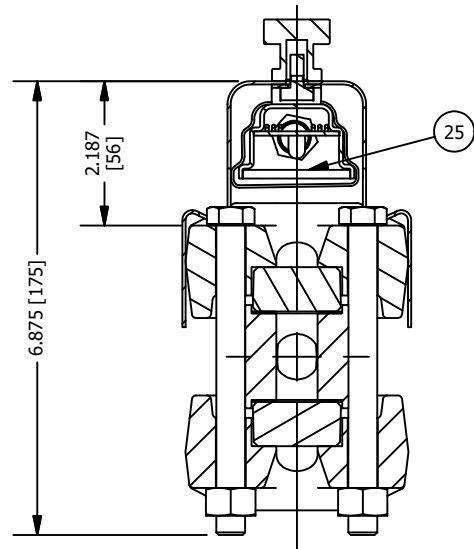
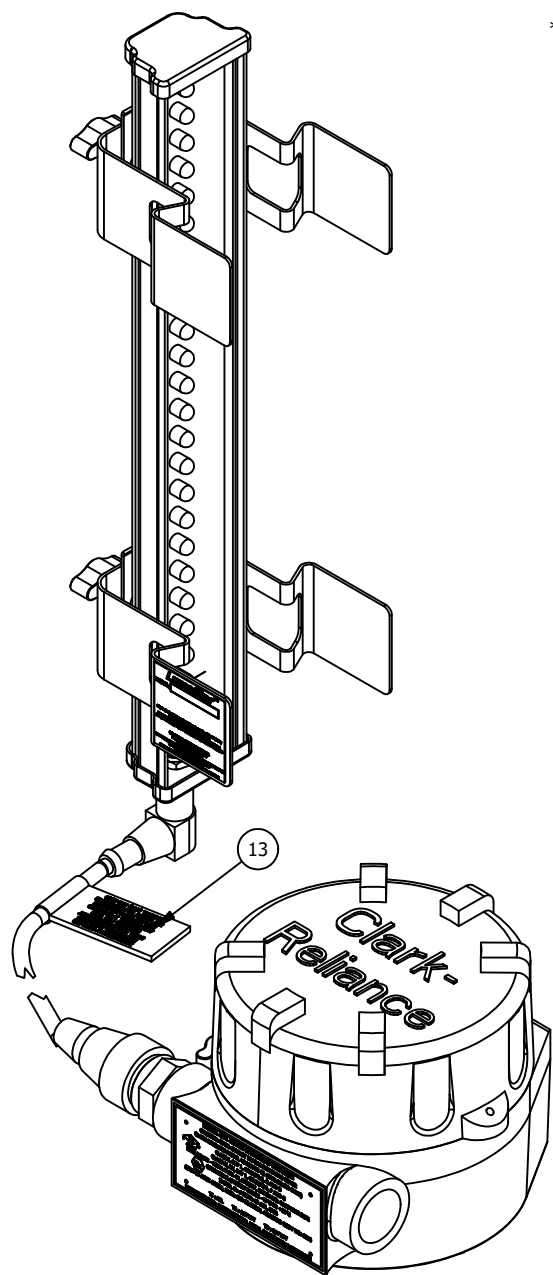
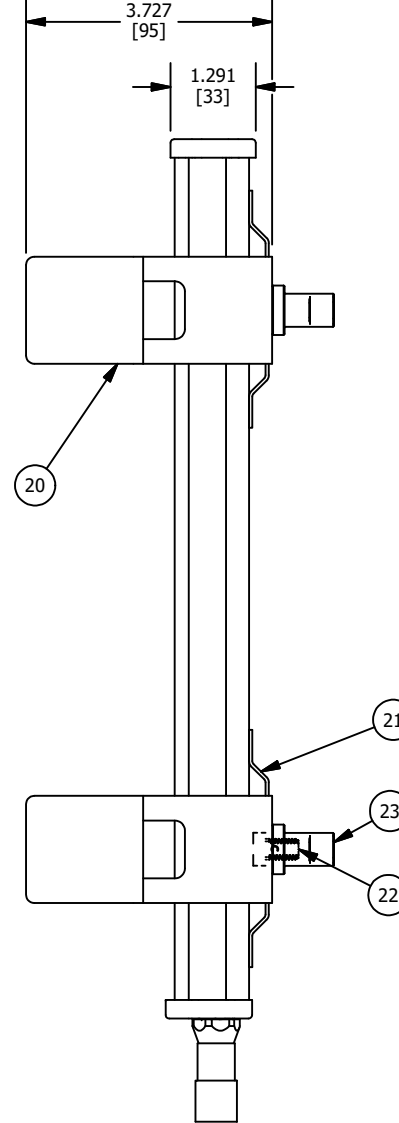
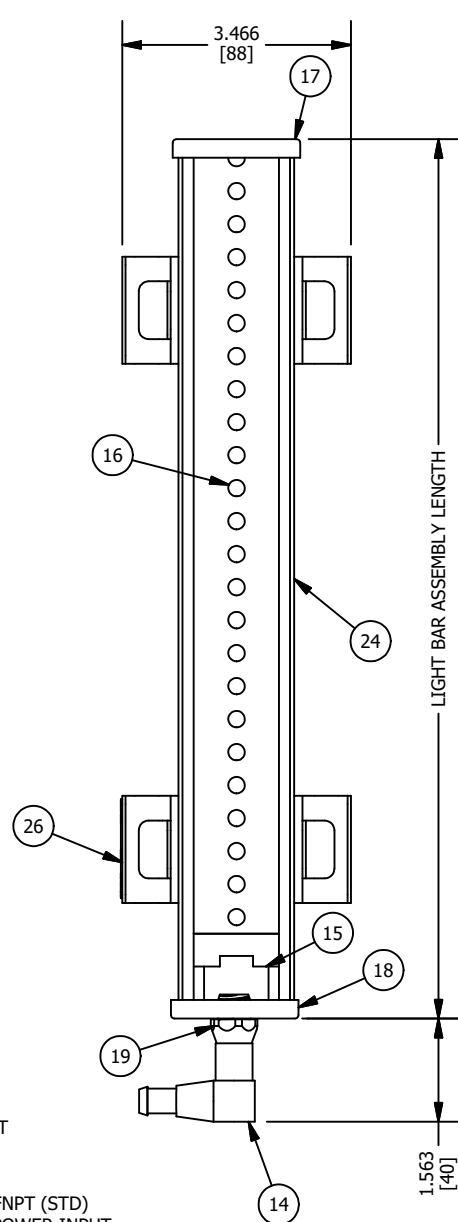
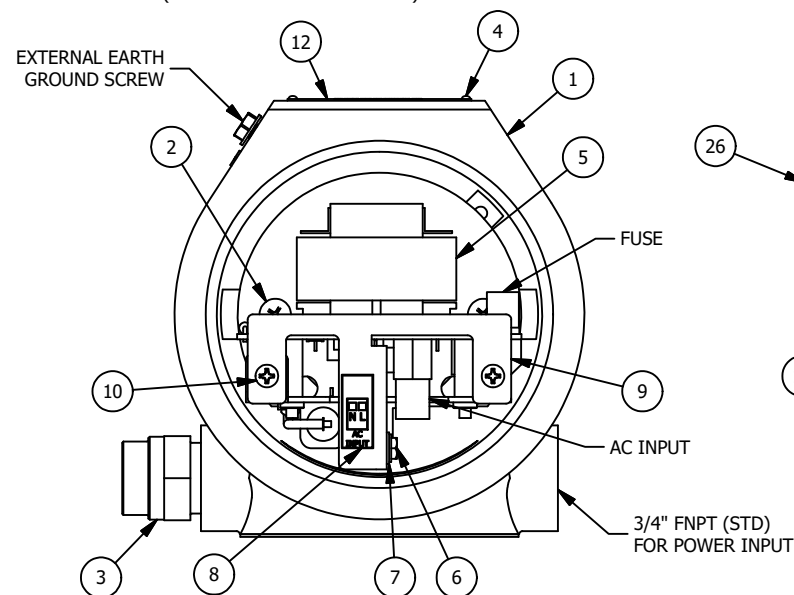


\*DIMENSIONS IN INCHES W/ mm EQUIVALENT IN BRACKETS\*



SECTION VIEW OF LIGHT STRIP MOUNTED TO TRANSPARENT GAGE (POWER SUPPLY NOT SHOWN)



**MODEL NUMBER DESIGNATION**

EPL-316-#-#-#-#-#

**LUMASTAR MODEL EPL-316**  
115 OR 230 VAC, 50/60 Hz  
NEMA 4, 4x, 7, IP66

**GAGE WINDOW SIZE**  
SERIES 20 (1 THRU 9)  
SERIES 300L (11,12,13,15,18,20)

**PREWIRED TERMINAL CONNECTIONS**  
1 = US/CAN, 115 VAC, 50/60 Hz  
2 = US/CAN, 230 VAC, 50/60 Hz  
3 = ATEX/IECEx, 115 VAC, 50/60 Hz  
4 = ATEX/IECEx, 230 VAC, 50/60 Hz  
24 VDC OPTION AVAILABLE

**NUMBER OF GAGE SECTIONS**  
(1,2,3,4,5)  
SEE LIGHT BAR ASSEMBLY LENGTH TABLE AT RIGHT FOR AVAILABLE UNITS

**DAISY CHAINED/REMOTE**  
BLANK = STANDARD  
D = DAISY CHAIN  
-FOR MULTIPLE SINGLE SECTIONS WITH ARMORED CABLE, CONSULT FACTORY FOR MAXIMUM LENGTHS AND NUMBER OF SECTIONS

**MOUNTING BRACKET**  
1 = UNIVERSAL MOUNTING BRACKET FOR COVER PLATES UP TO 3-1/2" IN WIDTH. USED FOR ALL JERGUSON SERIES 20/30/32/L10/300L/5/12/18 AND COMPETITIVE L/M/H SERIES GAGES

**SPECIFICATIONS**

POWER SUPPLY (Um): 115 OR 230 VAC @ 50-60 Hz ± 10%

HAZARDOUS LOCATION APPROVALS: cETLus: CLASS I, DIV 1, GROUPS B,C,D,T4 IP66/TYPE 4X  
ETLus: CLASS I, ZONE 1, AEx db [ib] IIB+H2 T4 Gb IP66/TYPE 4X  
cETL: Ex db [ib] IIB+H2 T4 Gb IP66/TYPE 4X  
INTERTEK 5014669  
ATEX: II 2 G Ex db [ib] IIB+H2 T4 Gb IP66/TYPE 4X  
ITS20ATEX25919X  
IECEx: Ex db [ib] IIB+H2 Gb IP66/TYPE 4X  
IECEx ETL 20.0063X

ORDINARY LOCATION APPROVALS: CONFORMS TO UL STDS 913, 1203, 60079-0, 60079-11, & 60079-1  
CERTIFIED TO CSA STDS C22.2 60079-0, 60079-11, 60079-1, & 30

AMBIENT TEMPERATURE: -40°C/-40°F ≤ Ta ≤ 60°C/140°F

WIRE SIZE: MIN 0.8mm<sup>2</sup>/ MAX 3.5mm<sup>2</sup> (MIN 18 AWG/ MAX 12 AWG)

MAX DIST. POWER SUPPLY TO LIGHT: 22M (72 FEET) VIA CLARK RELIANCE CORDS V20509/V20601-XX ONLY.

ELECTRICAL CONN.: 3/4 FNPT  
ELECTRICAL OUTPUT MAXIMUM: 21.42Vdc, 0.148A, 1.18W  
ESTIMATED LIFE: 100,000 HOURS (CONTINUOUS)

LIGHT BAR ASSEMBLY LENGTH					
NUMBER OF SECTIONS					
	1	2	3	4	5
SERIES 20/32/300L					
1	5.41				
2	5.41				
3	7.41	15.41			
4	7.41	17.41			
5	9.41	19.41			
6	11.41	21.41	31.41		
7	11.41	23.41	35.41	47.41	59.41
8	13.41	27.41	39.41	53.41	
9	13.41	29.41	41.41	57.41	
SERIES 300L					
11	11.41	23.41	35.41	47.41	
12	13.41	25.41	39.41	51.41	
13	13.41	27.41	41.41	55.41	
15	15.41	31.41	47.41		
18	19.41	37.41	57.41		
20	21.41	41.41			

**BILL OF MATERIAL**

NO.	NAME OF PART	QTY.	MATERIAL	PART NO.	REMARKS
1	ENCLOSURE	1	316SS	V22514 TE	
2	SCREW, MACHINE	2	STAINLESS STEEL	X172633	
3	RECEPTICAL	1	-	V20603	
4	SCREW, DRIVE	4	18-8SS	P1654 P	
5	POWER SUPPLY, 115V *	1	-	S25115 115	
	POWER SUPPLY, 230V *	-	-	S25115 230	
6	SCREW, GROUND, 6-32	1	STEEL	X173344	
7	WASHER, FLAT	1	303SS	X174110	
8	LABEL, INPUT, AC	1	POLYESTER	V22712	
9	BRACKET, DIVIDER	1	316SS	V22719	
10	SCREW, PHMS, 6-32 X 3/8	2	STAINLESS STEEL	X173335	
11	BUSHING, REDUCING	1	316/316LSS	P556 T	NOT SHOWN
12	LABEL, POWER SUPPLY	1	316SS	V21314	
13	LABEL, IS POWER CORD	1	-	V20655	
14	CORD, 72" LONG STANDARD	1	-	V21249	
15	CIRCUIT BOARD END	1	-	S23174 END	
16	BOARD, LIGHT	PER ORDER	-	S23174 12	
	BOARD, LIGHT	PER ORDER	-	S23174 10	
	BOARD, LIGHT	PER ORDER	-	S23174 8	
	BOARD, LIGHT	PER ORDER	-	S23174 6	
	BOARD, LIGHT	PER ORDER	-	S23174 4	
17	END CAP TOP	1	316SS	V21259 2 T	
18	END CAP BOTTOM	1	316SS	V21259 1 T	
19	CONNECTOR, FEMALE	1	-	V21303	
20	BRACKET, UNIVERSAL	2	316/316LSS	V21423	
21	BRACKET, MOUNTING	2	316SS	V21260 T	
22	BOLT, T	2	316/316LSS	V21266 T	
23	NUT, THUMB	2	316/316LSS	V20997 T	
24	BODY, LIGHT	PER ORDER	316SS	V21215 T	
25	GLASS, INDICATOR	PER ORDER	GLASS	V21261	
26	TAG, EPL-316	1	316SS	V20487 E	

\* OPTIONAL POWER SUPPLIES AVAILABLE WITH ATEX/IECEx APPROVAL

**SPARE PARTS**

PART NUMBER	DESCRIPTION
S24983	BRACKET, UNIVERSAL
A25115 115	115 VAC POWER SUPPLY/BRACKET SUB-ASSEMBLY
A25115 230	230 VAC POWER SUPPLY/BRACKET SUB-ASSEMBLY
A25119 115 TE L	115 VAC US/CAN POWER SUPPLY w/ EXPLOSION-PROOF ENCLOSURE
A25119 230 TE L	230 VAC US/CANPOWER SUPPLY w/ EXPLOSION-PROOF ENCLOSURE
A25481 115 TT L	115 VAC ATEX/IECEx POWER SUPPLY w/ EXPLOSION-PROOF ENCLOSURE
A25481 230 TT L	230 VAC ATEX/IECEx POWER SUPPLY w/ EXPLOSION-PROOF ENCLOSURE
V21249	72" CABLE W/ 90 DEGREE CONNECTOR
E F DIN 0250 T	FUSE, 250 mA, 115 VAC
E F DIN 0125 T	FUSE, 125 mA, 230 VAC
V19705 F	M20 METRIC ADAPTOR (3/4"MNPT x M20 FEMALE)

REFER TO THE FOLLOWING (FOR):  
- CATALOG BULLETIN J100.32 (ADDITIONAL INFORMATION)  
- IOM BULLETIN J500.32 (INSTRUCTIONS - INCLUDING WIRING)  
- PRICE SHEET BULLETIN J800.18  
- CI-26677 (INSTALLATION AND HAZARDOUS LOCATION INFORMATION)

REV	DATE	REVISION	BY
1	05/27/2021	UPDATED POWER SUPPLY, UPDATED BOM, UPDATED MODEL NUMBER	SH
0	11/11/19	NEW RELEASE	JJK

NOTE: ALL POWER SUPPLIES ARE REMOTE MOUNTED.



**JERGUSON®**  
**EPL-316 LUMASTAR**  
**(OFFSHORE)**

**DRAWN: JJK**  
**CHECKED: MK**  
**DATE: 11/11/2019**  
**REVISION: 1**  
**DRAWING NO.: EPL-316**  
**REV.: 1**