

Suitable for all mineral-based and synthetic hydraulic, lubrication, and fuel oil applications. Premium pleated microglass media maximizes surface area, dirt holding capacity, and service life while minimizing single pass particle counts, differential pressure, and cost of ownership.

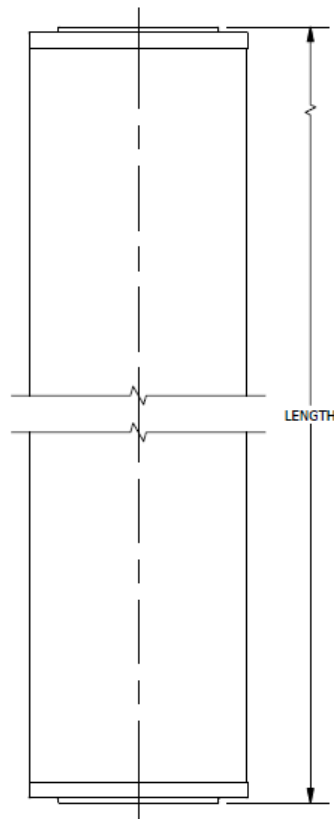
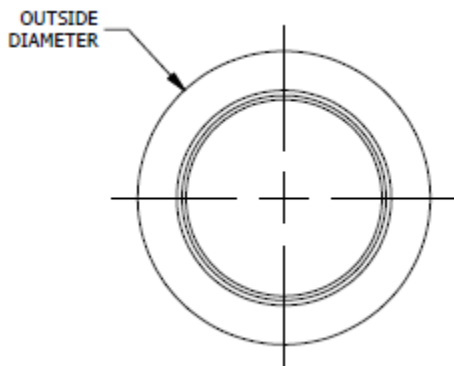
V	18	6	-	01*	-	B	1	A	**
Media Type V = Microglass	Nominal Length 16 = 16.00" 18 = 18.17" 24 = 24.17" 26 = 26.17" 34 = 34.00" 36 = 36.00" 39 = 38.63"	Outside Diameter 4 = 3.775" - 4.000" 5 = 5.000" 6 = 6.000"		Micron Rating 01 = 2.5 µm 03 = 5 µm 06 = 7 µm 10 = 10 µm 12 = 12 µm 25 = 25 µm		Seal Material B = Buna N = Neoprene T = PTFE V = FKM	Core & Cap Material 1 = Plated Steel 2 = Stainless Steel		Cap Configuration _ = DOE A = DOE B = SOE C = DOE w/ O-ring

*Beta > 1000 (99.9% for stated micron size)

**Filters using the special field will include a three digit code. Example V186-03-B1A-001

Recommended Operating Conditions

Flow Direction	Outside → In
Change Out Differential	25 PSID
Maximum Differential	150 PSID
Maximum Temperature	250° F (Buna) 275° F (Viton)



For more information, email PurityProducts@clark-reliance.com

ANDERSON®
Separator

Clark-Reliance
FILTER ELEMENTS®

Enervac™
INTERNATIONAL ULC

OIL
FILTRATION
SYSTEMS®

NFS
National
Filtration
Systems®

HYCOA