

# RFQ and Purchase Order Specification Work Sheets

Section: R406.008  
 Date: 4-30-2020  
 Supersedes: 11-1-2011  
 Page 1

## Steel Water Gage Valves

**BILL OF MATERIAL - PER SET**

ITEM	PART NO.	QUAN.	DESCRIPTION	MATERIAL	SWG NO.
1	SG754-1	1	VALVE BODY, LOWER FORGED STL	ASTM A105	B-91 98
2	SG754-1A	1	VALVE BODY, UPPER FORGED STL	ASTM A105	B-91 98
3	SG754-2	4	PACKING YOKE - (DUCTILE IRON)	ASTM A353-SS1	SG7035-A
4	SG754-3	2	PACKING WASHER	C 101B	SG7036-A
5	SG454-24	2	SEAT	420 SS	SG7817-A
6	XI 7231	2	CAP SCREW, HEX 7/16-14x1 1/2	STEEL - GR. B7	
7	XI 7421	2	PLAIN WASHER, 1 5/8" I. D. - 59/64 O. D.	STEEL	
8	SG854-1	2	STEM	303 SS	A-91 96
9	SG854-2S	2	STEM BUSHING	416 SST	A-91 96
10	SG854-3	2	NI PPLE. PACKING CARTRIDGE	GRAFOL	SG7921-A
11	SG854-4	2	STEM PACKING CARTRIDGE	GRAFOL	SG7921-A
12	XI 72500	2	VALVE SEAT GASKET	MONEL	A-541 B
13	SG40385-1	2	SPRCKET	SINTERED IRON	A-7255
14	SG40385-2	2	LEVER, 1 UPPER & 1 LOWER	MALL. IRON	A-7254
15	SG40385-3	2	CAP SCREW, HEX 5/16-18x5/8	STEEL	
16	SG40385-4	2	SHAKEPROOF LOCK WASHER, 5/16	STEEL	
17	XI 73121	2	ALLEN CUP POINT SET SCREW, 1/2-24x5/8	STEEL	

NOTE: LENGTH OF GLASS OR GAGE OVERALL EQUALS VALVE CENTERS LESS 3/4" (866.50)

MAXIMUM PRESSURE RATING:  
 HYDROTEST AT 2250 P. S. I. 1500 P. S. I. @ 600°F  
 HYDROTEST AT 158.2 kg/cm<sup>2</sup> 105.5 kg/cm<sup>2</sup> @ 316°C

THE CLARK-RELIANCE CORP.  
 STRONGSVILLE, OHIO

SG854 FORGED STEEL WATER GAGE VALVE

B-9200 11

Please complete all information fields in this worksheet and submit with your RFQ (Request For Quote) or Purchase Order. The use of these worksheets has proven to greatly decrease Engineering time and virtually eliminate specification errors.

# Reliance®

A PRODUCT OF CLARK-RELIANCE

16633 Foltz Parkway • Strongsville, OH 44149 USA

Telephone: +1 (440) 572-1500

www.clark-reliance.com • RelianceAppEng@clark-reliance.com

Customer: \_\_\_\_\_  
 Address: \_\_\_\_\_  
 Contact Name: \_\_\_\_\_  
 Phone No.: \_\_\_\_\_  
 E-mail: \_\_\_\_\_

Date: \_\_\_\_\_  
 P.O. No.: \_\_\_\_\_  
 Quote Ref.: \_\_\_\_\_  
 On Site Req'd.: \_\_\_\_\_  
 Other Info.: \_\_\_\_\_

### REQUIRED INFORMATION

Design Pressure: \_\_\_\_\_ Vessel Centers: \_\_\_\_\_  
 Design Temperature: \_\_\_\_\_ Gage Glass: \_\_\_\_\_

### Valves with pressures up to 1500 PSIG

Model Number	Vessel Connection	Ball Check Upper	Ball Check Lower	Gage Connection	Operators	Maximum Pressure (PSIG)
SG854	3/4" Male Pipe Thread	No	No	3/4" O.D. Nipple	Lever	1500
SG855	3/4" Male Pipe Thread	Yes	Yes	3/4" O.D. Nipple	Lever	1500
SG860	3/4"-900# R.F. Flange	No	No	3/4" O.D. Nipple	Lever	1500
SG861	3/4"-900# R.F. Flange	Yes	No	3/4" O.D. Nipple	Lever	1500
SG861U	3/4"-900# R.F. Flange	Yes	Yes	3/4" O.D. Nipple	Lever	1500
SG885	3/4"-600# R.F. Flange	Yes	No	3/4" O.D. Nipple	Lever	1135
SG885U	3/4"-600# R.F. Flange	Yes	Yes	3/4" O.D. Nipple	Lever	1135
SG886	3/4" Male Pipe Thread	Yes	No	3/4" O.D. Nipple	Lever	1500
SG778	1 1/2" Female Socket Weld	No	No	3/4" O.D. Nipple	Chain Wheel	1500

### Valves with Pressures up to 3000 PSIG

Model Number	Vessel Connection	Equalizer Tube	Gage Connection	Operators	Maximum Pressure (PSIG)
SG677	3/4" Female Socket Weld	No	1/2"-2500# RTJ Flange	Chain Wheel	3000
SG677E	3/4" Female Socket Weld	Yes	1/2"-2500# RTJ Flange	Chain Wheel	3000
SG777	1 1/2" Female Socket Weld	No	1/2"-2500# RTJ Flange	Chain Wheel	2500
SG777E	1 1/2" Female Socket Weld	Yes	1/2"-2500# RTJ Flange	Chain Wheel	2500

Note: If Live Loading option is required for any valve set, add "P" to the end of the model number.

**Special Vessel Connection Requirements**

**(standard connections listed on page 1):**

Section: R406.008  
Date: 4-30-2020  
Supersedes: 11-1-2011  
Page 3

Male Socket Weld (size required): \_\_\_\_\_

Female Socket Weld (size required): \_\_\_\_\_

Flange Connection (size and pressure class): \_\_\_\_\_

Flange Face: \_\_\_\_\_

**Special Gage Glass Connection Requirements (standard connections listed on page 1):**

Flange Connection (size and pressure class): \_\_\_\_\_

Flange Face: \_\_\_\_\_

**Special Drain Connection Requirements (standard connections are 1/2" FSW):**

Pipe Extension (size required): \_\_\_\_\_

Female Socket Weld (size required): \_\_\_\_\_

Flange Connection (size and pressure class): \_\_\_\_\_

Flange Face: \_\_\_\_\_

Isolation Globe Valve (size and class) \_\_\_\_\_

**Misc. Special Requirements**

Vent Connection (size required): \_\_\_\_\_

Handwheel operators: \_\_\_\_\_

Flange Connection for valves with standard NPT or SW Gage Glass Conns. (size and pressure class: \_\_\_\_\_

Flange Face: \_\_\_\_\_

Live Loading Option: \_\_\_\_\_

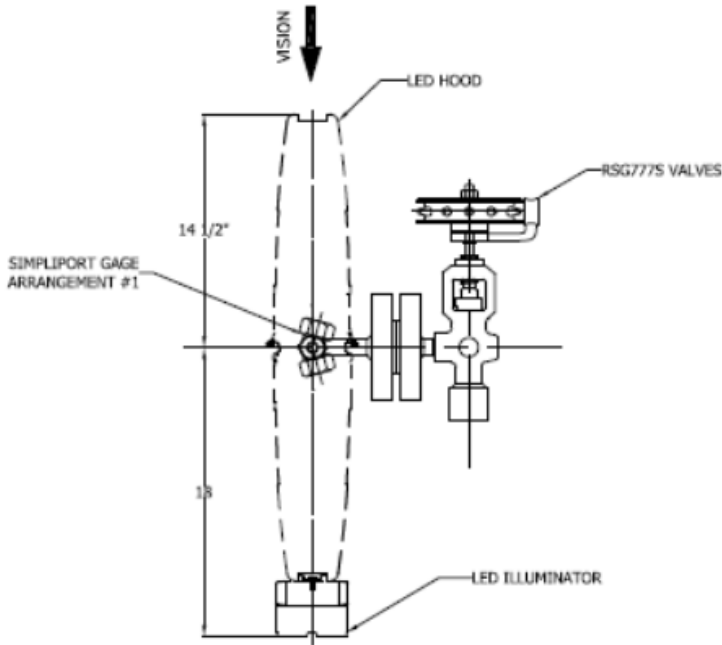
Ball Checks for SG600 and SG700 Series valves \_\_\_\_\_

Extra Chain for SG800 Series Valves (2 – 5 ft. lengths furnished as standard: \_\_\_\_\_

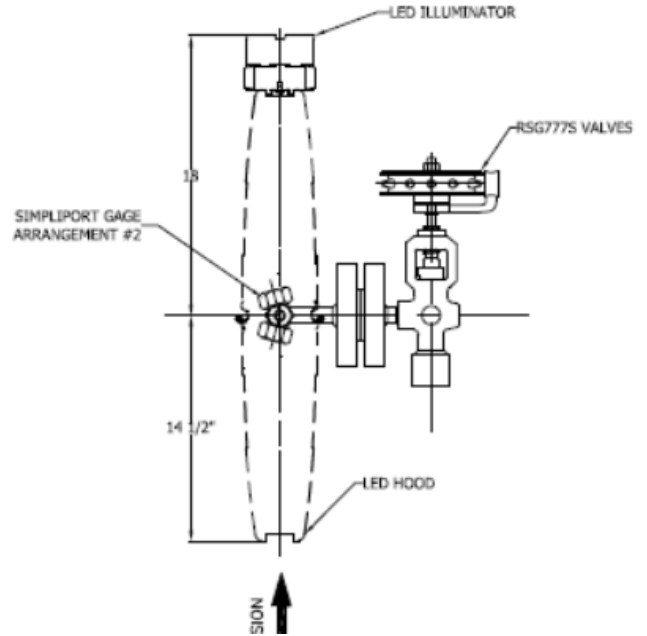
Chain for SG600 and SG700 Series valves (no chain furnished as standard with chain wheel operated valves) \_\_\_\_\_

Right Hand or Left Hand arrangement for SG600 and SG700 Series valves (see following pages for plan view arrangements) \_\_\_\_\_

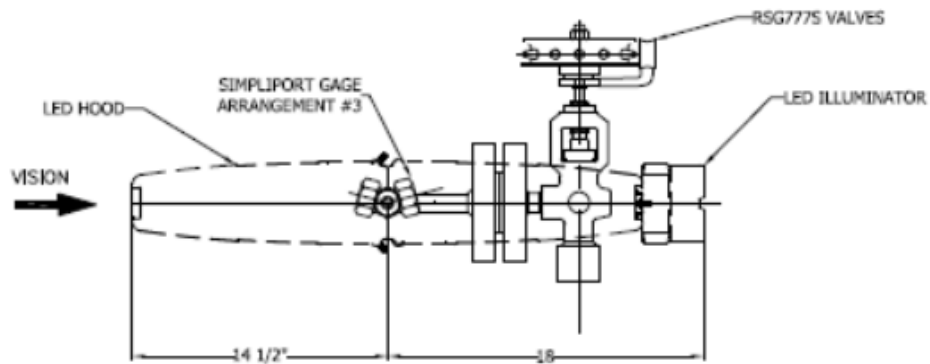
**Plan View arrangements for SG600 and SG700 Series Valves  
 (Right Hand Arrangement) with P4100 Series Simpliport Gages**



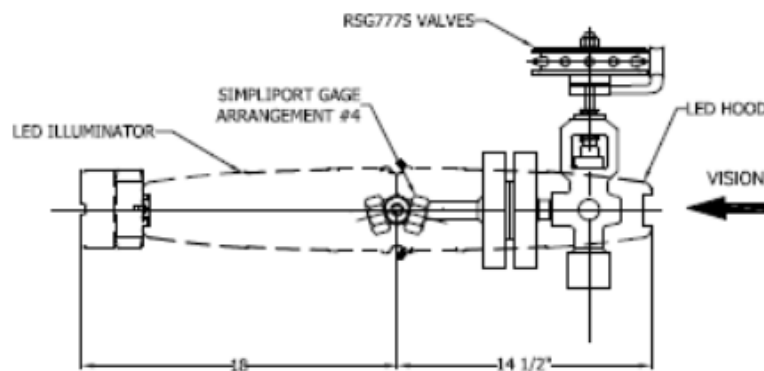
Gage Arrangement #1



Gage Arrangement #2



Gage Arrangement #3



Gage Arrangement #4

Additional notes:

---



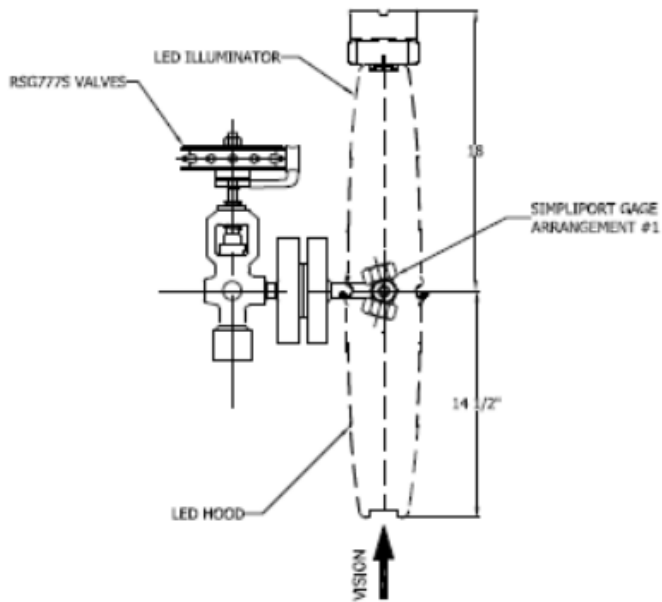
---



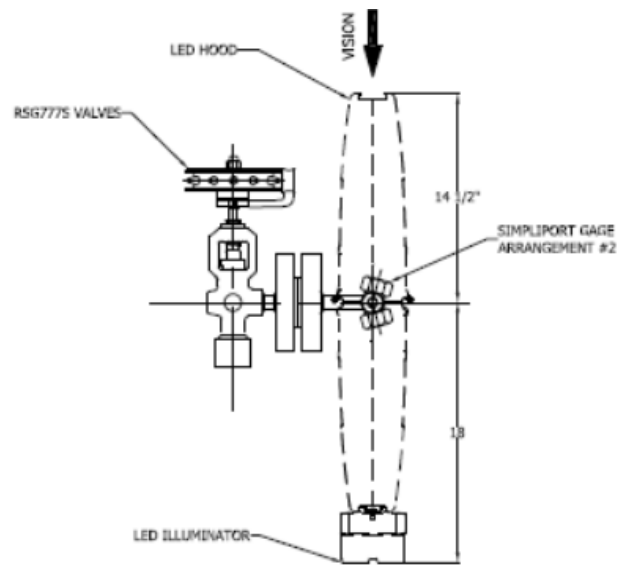
---

**Plan View arrangements for SG600 and SG700 Series Valves**

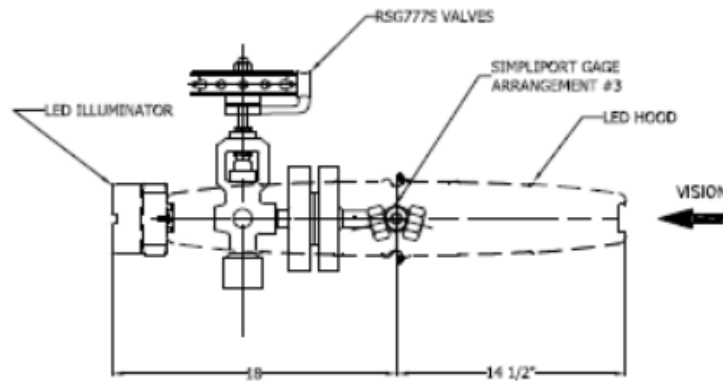
**(Left Hand Arrangement) with P4100 Series Simpliport Gages**



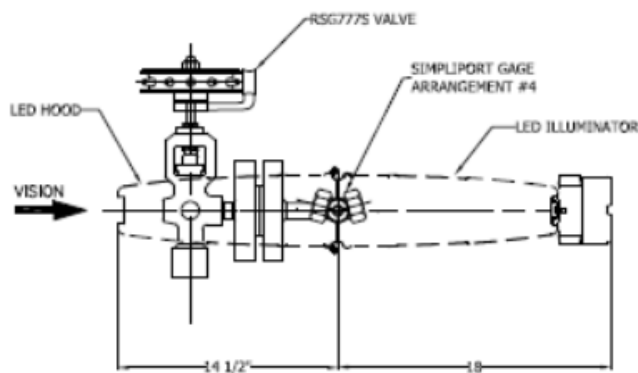
Gage Arrangement #1



Gage Arrangement #2



Gage Arrangement #3



Gage Arrangement #4

Additional notes:

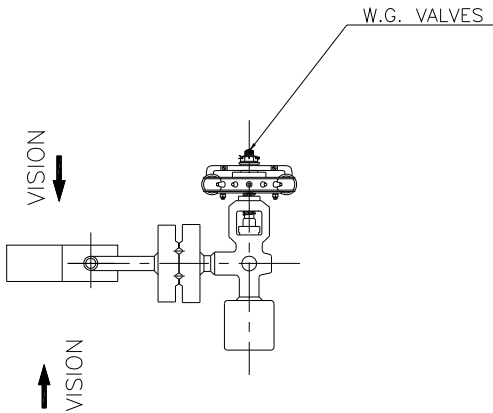
---

---

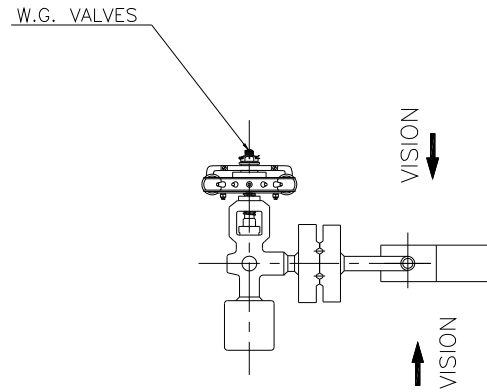
---

**Plan View arrangements for SG600 and SG700 Series Valves with Flanged Flat Glass Gages**

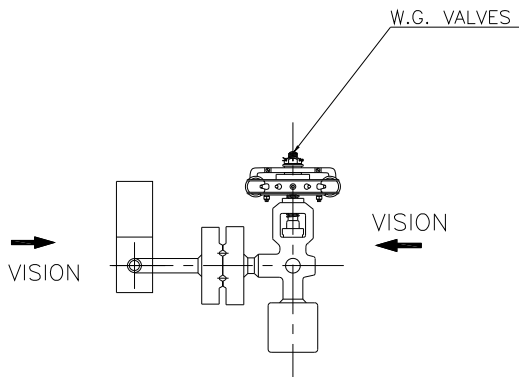
Section: R406.008  
Date: 4-30-2020  
Supersedes: 11-1-2011  
Page 6



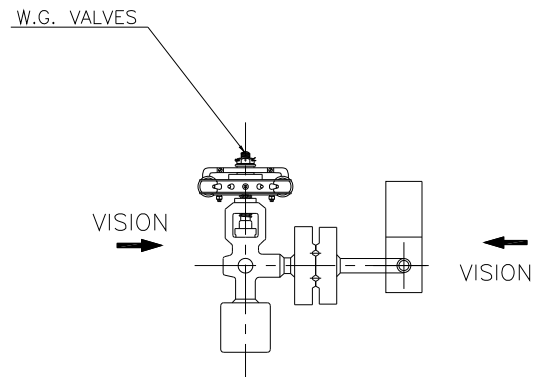
RIGHT HAND VALVE ASSEMBLY WITH FLAT GLASS GAGE



LEFT HAND VALVE ASSEMBLY WITH FLAT GLASS GAGE



RIGHT HAND VALVE ASSEMBLY WITH FLAT GLASS GAGE



LEFT HAND VALVE ASSEMBLY WITH FLAT GLASS GAGE

Additional notes:

---

---

---