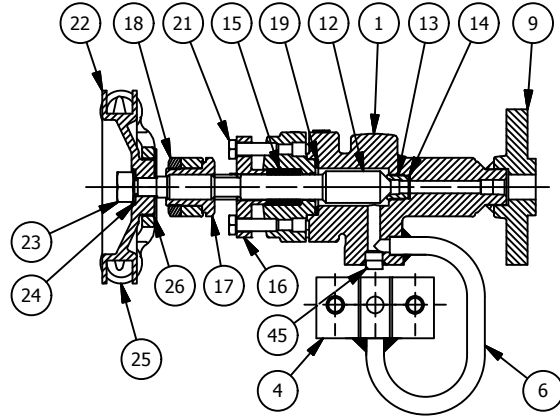
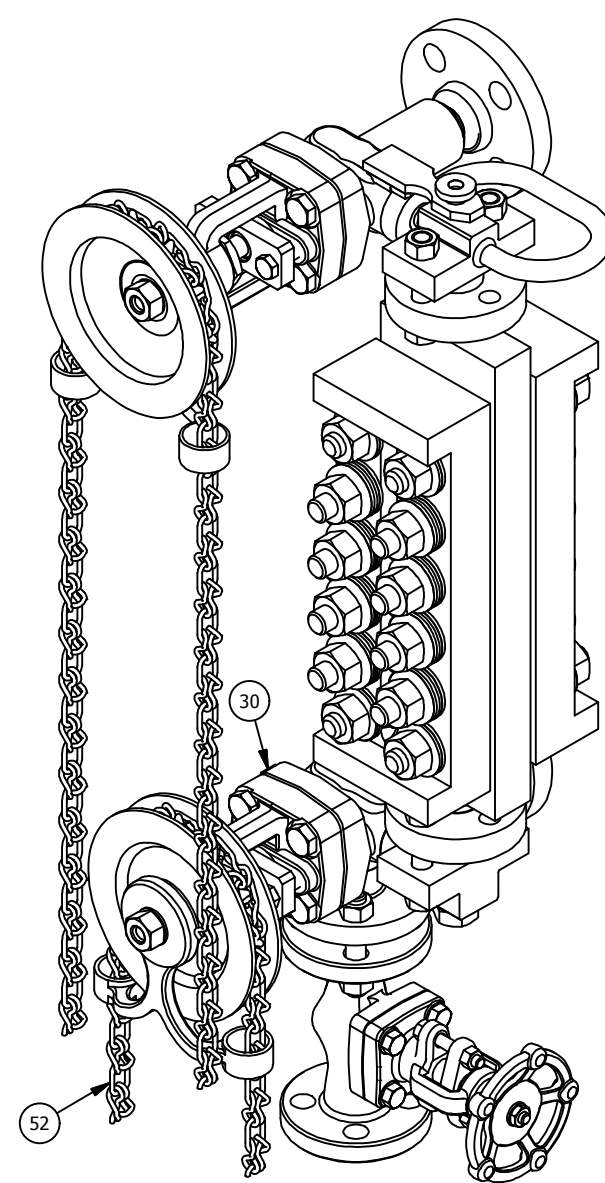
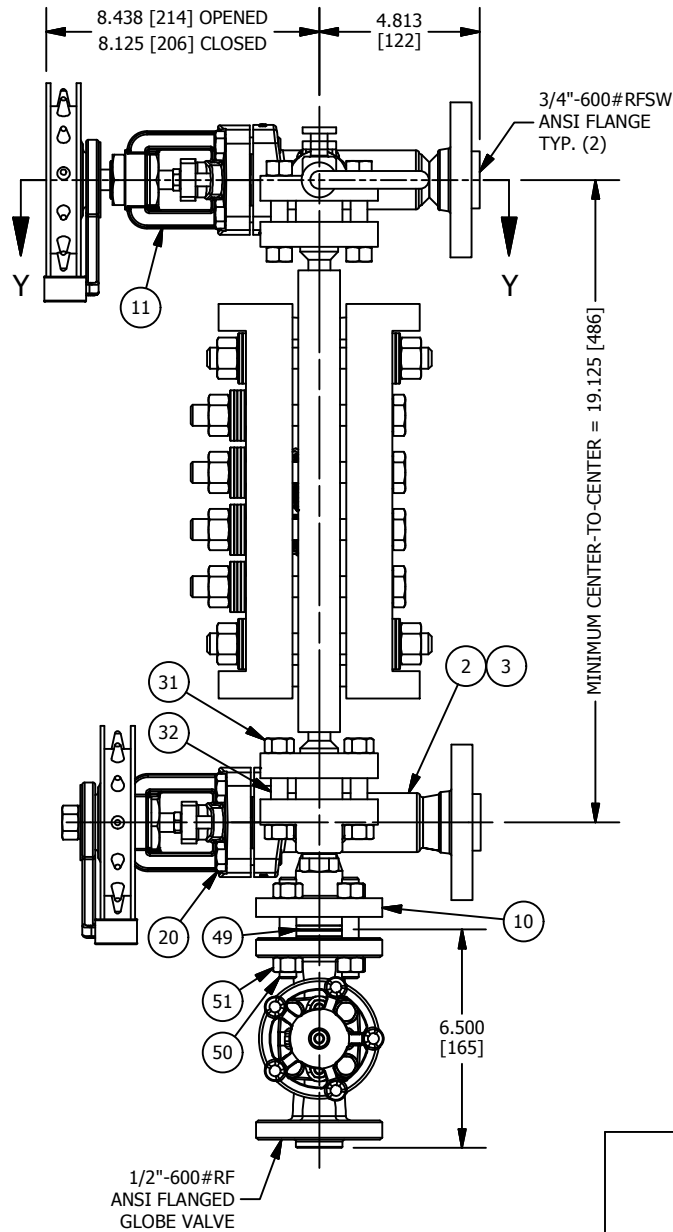
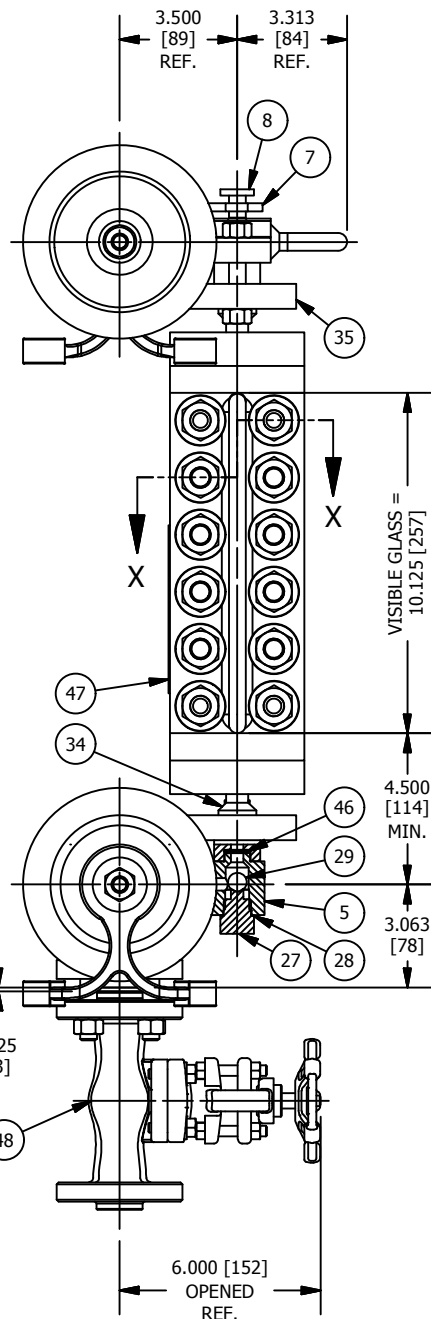


SECTION X-X



SECTION Y-Y

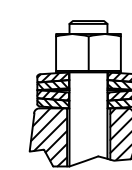


LEFT HAND (LH)  
GAGE/VALVE ASSEMBLY

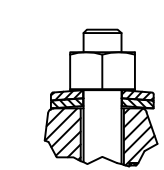
RIGHT HAND (RH)  
GAGE/VALVE ASSEMBLY

BILL OF MATERIAL					
NO.	NAME OF PART	QTY.	MATERIAL	PART NO.	SPECIFICATION
1	TOP VALVE BODY	1	CARBON STEEL	L847 A5	A105
2	BOTTOM VALVE BODY RH	1	CARBON STEEL	L848 A5	A105
3	BOTTOM VALVE BODY LH	1	CARBON STEEL	L849 A5	A105
4	TOP GAGE CONNECTION	1	CARBON STEEL	V3389U B	A108 GR.C1018
5	BOTTOM GAGE CONNECTION	1	CARBON STEEL	V6624U B	A108 GR.C1018
6	EXPANSION LOOP	1	CARBON STEEL	V9880 AXS	A106 GR.B
7	SUPPORT BRACKET	1	CARBON STEEL	V9882 A6	A36
8	WELDING CAP	1	CARBON STEEL	P3968 A6	A108 GR.C1018
9	3/4"-600#RFSW FLG	2	CARBON STEEL	FA5 6 1 3D1P	A105
10	1/2"-600#RF FLG	1	CARBON STEEL	V9129U A5	A108
11	YOKE	2	CARBON STEEL	L220 B	A105
12	VALVE STEM	2	416SS	V15889 U	QQ-S-763
13	VALVE SEAT	2	416SS TREATED	P343 U3	QQ-S-763
14	VALVE SEAT GASKET	2	CARBON STEEL	P33 1 A1	
15	PACKING	24	GRAPHITE	G264	
16	PACKING GLAND	2	CARBON STEEL	V18257 4 AL4	A36
17	BUSHING	2	BRASS	P5946 F4	B16 GR.360
18	BUSHING NUT	2	CARBON STEEL	P5665 A6	A108 GR.C1018
19	SPIRAL GASKET	2	316/CHLOROCARB	P5643 T	
20	CAP SCREW	8	CARBON STEEL	P6475 B71	A193 GR.B7
21	CAP SCREW	4	CARBON STEEL	P5729 B71	A193 GR.B7
22	SPROCKET RIM	2	ALUMINUM	V5237 E8	QQ-A-601
23	VALVE STEM NUT	2	CARBON STEEL	P1866 2HA	A194 GR.2H
24	SPACER WASHER	2	CARBON STEEL	P5457 A	
25	CHAIN GUIDE	2	ALUMINUM	PD247 2 E8	QQ-A-601
26	RETAINING WASHER	2	304SS	P4917 R	
27	BALL HOLDER	1	303SS	P2 Q3	A582
28	BALL HOLDER GASKET	1	CARBON STEEL	P33 4 A1	
29	BALL CHECK	1	316SS	P1 T2	QQ-S-763
30	NAME PLATE	2	BRASS	P6211 F	
31	NUT	8	CARBON STEEL	P235 2 2HA	A194 GR.2H
32	STUD	4	CARBON STEEL	P4008 1 B71	A193 GR.B7
33	CHAMBER	1	CARBON STEEL	V12370U A6	A108 GR.C1018
34	FLANGED NIPPLE	2	CARBON STEEL	V12369 A6	A108 GR.C1018
35	LOOSE FLANGE	2	CARBON STEEL	V8382 A6	A108
36	GASKET	2	GRAFOIL	V13488 7	
37	SHIELD, MICA	2	MICA	P8092 7	
38	GLASS, TRANSPARENT	2	HP BOROSILICATE	V16758 7	
39	CUSHION	2	IFG5500	V19087 7	
40	COVER	2	CARBON STEEL	V12367 AL4	A115
41	STUD	4	CARBON STEEL	P3998 5 B71	A193 GR.B7
42	BOLT	8	CARBON STEEL	V20599 B71	A193 GR.B7
43	SPRING WASHER	48	SPRING STEEL	V15697 J1	
44	NUT	16	CARBON STEEL	P8366 2HA	A194 GR.2H
45	WELDING PLUG	1	CARBON STEEL	P7612 A6	A108 GR.C1018
46	SPIRAL GASKET	2	304/CHLOROCARB	P5198	
47	NAME PLATE	1	BRASS	P7566 F	
48	DRAIN VALVE	1	CARBON STEEL	A16376	
49	SPIRAL GASKET	1	316/FLEXICARB	P257 T	
50	STUD	4	CARBON STEEL	P4008 1 B71	A193 GR.B7
51	NUT	8	CARBON STEEL	P1866 2HA	A194 GR.2H
52	HANDCHAIN	2	SEE NOTE 2	P3924	

DETAIL OF  
SPRING WASHER STACKS



SPRING WASHER STACK  
UNDER EACH BOLT NUT



SPRING WASHER STACK  
UNDER EACH STUD NUT

- NOTES:
- TO ORDER, SPECIFY:
    - "SG-1011B"
    - "SG" PREFIX = COMPLETE ASSEMBLY = GAGE, VALVE SET AND DRAIN VALVE
    - FOR GAGE ONLY, OMIT "SG" AND SPECIFY "1016B" AND EXISTING VALVE CENTERS
    - VALVE SET MODEL
      - "7311B-4" (3/4"-600#RFSW TANK CONNS.)
      - "7311C-4" (3/4"-900/1500#RFSW TANK CONNS.)
      - OPTIONAL TANK CONNS. AVAILABLE ON REQUEST
      - 7311B-4 WILL BE SUPPLIED IF VALVE SET MODEL OR OPTIONAL TANK CONNS. ARE OMITTED
    - VALVE CENTER-TO-CENTER
    - LEFT HAND (LH) OR RIGHT HAND (RH) GAGE/VALVE ASSEMBLY
      - LH IF OMITTED
  - VALVE HANDCHAIN SUPPLIED (HOT GALVANIZED LOCK LINK; TWO PIECES, 10 FEET LONG EACH)
  - GAGE HYDRO-TESTED @ 2400 PSI; VALVES HYDRO-TESTED @ 2175 PSI
  - WEIGHTS (APPROX.):
    - GAGE = 62#
    - TOP VALVE = 18#
    - BOTTOM VALVE = 19#
    - DRAIN VALVE = 7-1/2#
  - EQUIPMENT SHOWN MEETS ASME CODE AND ABS REGULATIONS

MANUFACTURED BY  
  
 16633 FOLTZ PARKWAY  
 STRONGSVILLE, OH 44149 USA  
 (440) 572-1500 | www.clarkreliance.com  
 © Clark-Reliance® Corporation. All Rights Reserved.

JERGUSON®  
 #1011B BOILER WATER  
 GAGE/VALVE ASSEMBLY FOR 1100# W.S.P.

PART NUMBER: <b>SG1011B</b>		
TOLERANCE CLASS (PER PES-004): <b>C</b>		
MATERIAL:		
REVISION: <b>6 PER CDC 16-424/ZRR</b>		
DRAWN: <b>ZRR</b>	DRAWING NO.:	REV.:
CHECKED: <b>MK</b>	<b>SG-1011B</b>	<b>6</b>
DATE: <b>7/19/2016</b>		